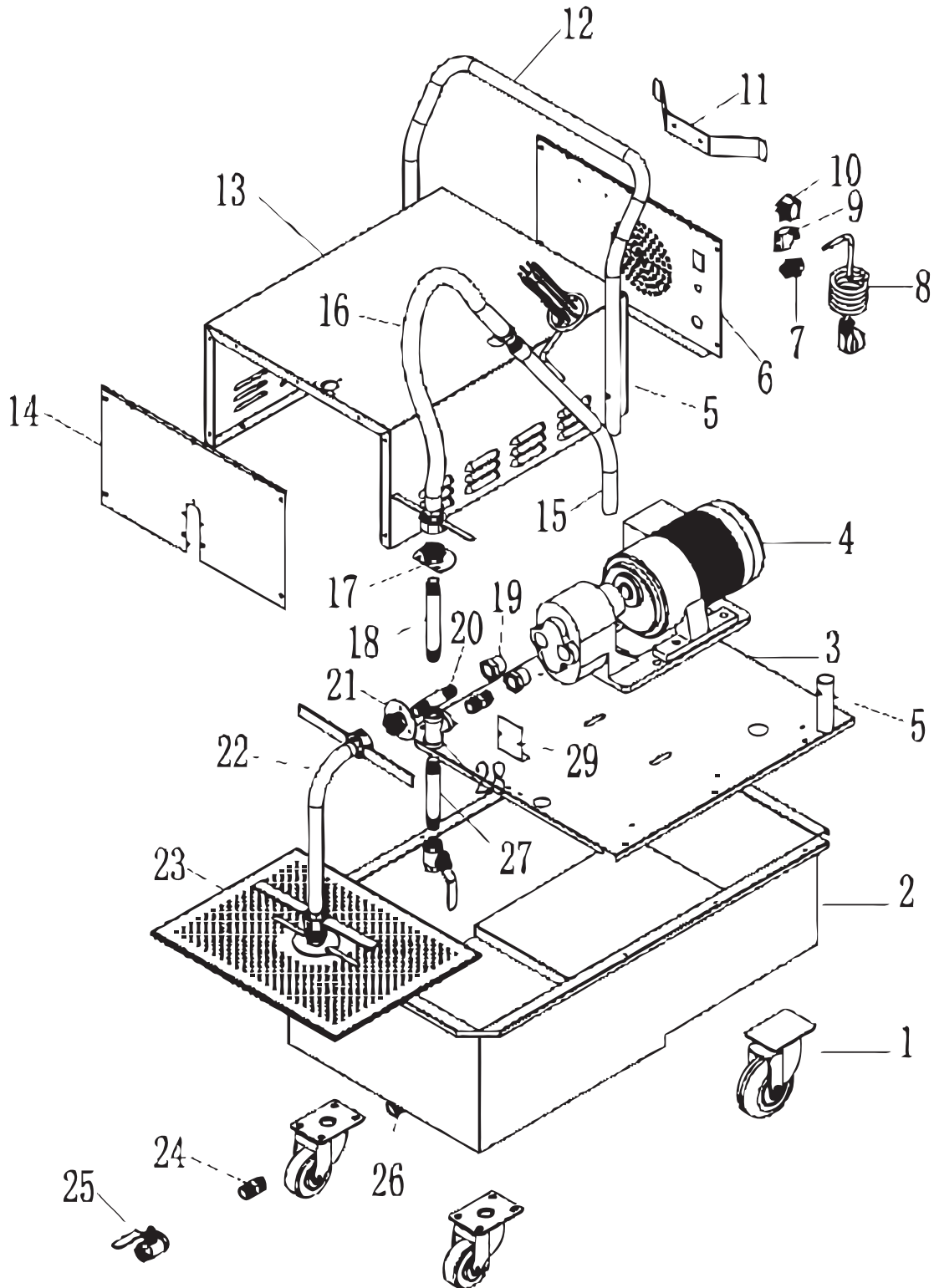


Parts Breakdown

Model OF-CN-0050 23334



Parts Breakdown

Model OF-CN-0050 23334

Item No.	Description	Position	Item No.	Description	Position	Item No.	Description	Position
61952	Wheel for 23334	1	61962	Power Cord Hanger for 23334	11	61972	Inch Male Screw(2) for 23334	21
61953	Oil Tank for 23334	2	61963	Handrail for 23334	12	61973	Fuel Sucking Pipe for 23334	22
61954	Base for Oil Pump for 23334	3	61964	Electric Box Cover for 23334	13	61974	Filter Net for 23334	23
61955	Oil Pump for 23334	4	61965	Front Board for Electric Box for 23334	14	61975	Inch Male Screw Connection for 23334	24
61956	Handrail Holder for 23334	5	61966	Oil Outlet for 23334	15	61976	Oil Release Valve for 23334	25
61957	Back Board for Electric Box for 23334	6	61967	Oil Pipe for 23334	16	61977	Inch Angle Pipe for 23334	26
61958	Holder for Power Cord for 23334	7	61968	Inch Male Screw(1) for 23334	17	61978	Inch Steel Pipe(123mm) for 23334	27
61959	Power Cord for 23334	8	61969	Inch Steel Pipe(143mm) for 23334	18	61979	Three Direction Pipe Connection for 23334	28
61960	Overload Switch for 23334	9	61970	Conversion Screw for 23334	19	61980	Front Board Strengthening for 23334	29
61961	Power Switch for 23334	10	61971	Inch Steel Pipe(78mm) for 23334	20			